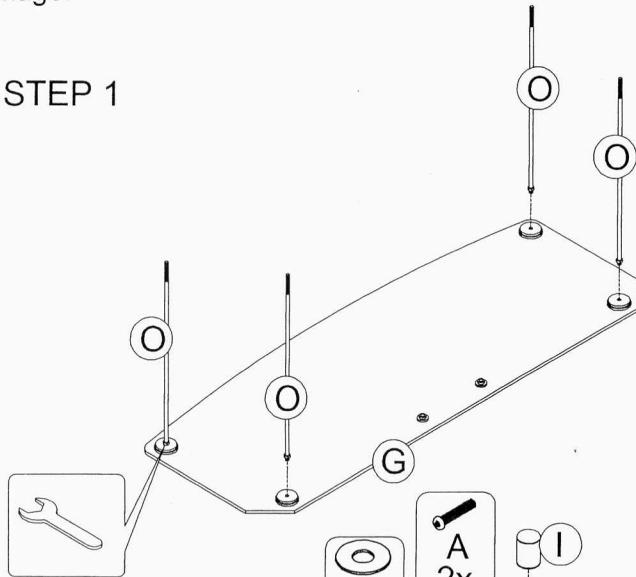
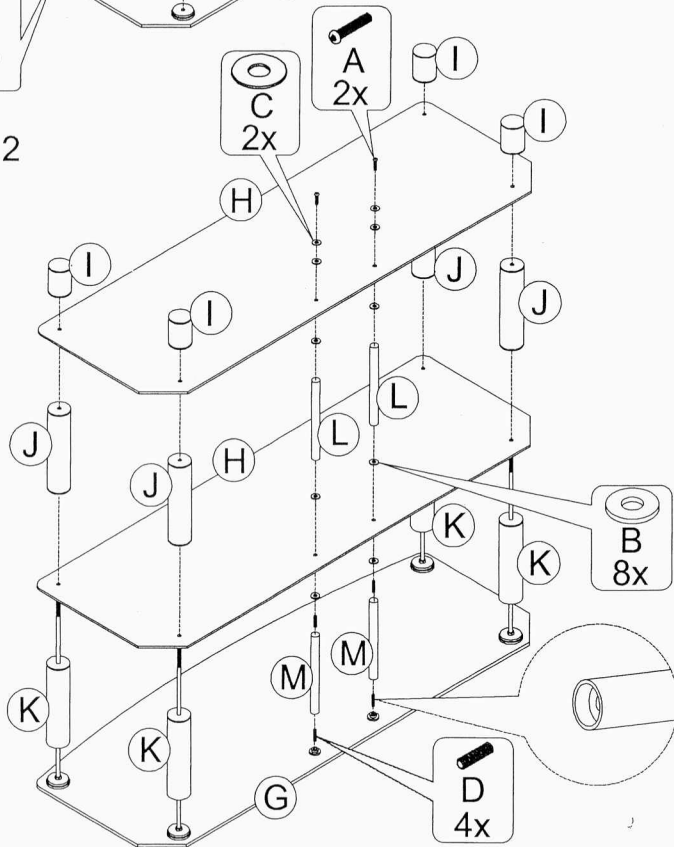


**NOTE:** Improper installation may cause serious injury and/or damage. It is recommended that you follow the instruction below carefully. Before starting assembly, make sure that all parts and accessories listed on this manual are included and intact. Please contact us immediately if there are any missing or damage parts. Assembly should be performed by 2 people on carpet or similar surface to prevent glass shelves from being damage.

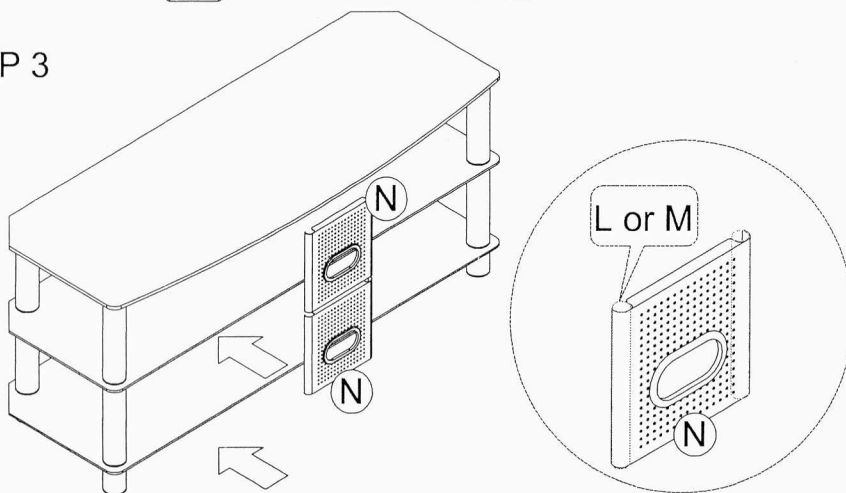
### STEP 1







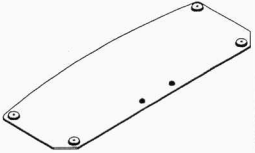
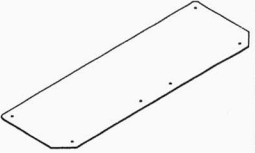





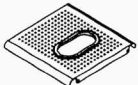



### STEP 2



### STEP 3



NO.	DESCRIPTION	Q'TY
A		2
B		8
C		2
D		4
E		1
F		1
G		1
H		2
I		4
J		4
K		4
L		2
M		2
N		2
O		4