

WOOD TECHNOLOGY

METAL TECHNOLOGY

ASSEMBLY INSTRUCTIONS FOR THE MODEL AR-43 EQUIPMENT RACK

Thank you for purchasing the AR-53. We are confident that you will enjoy its functionality and beauty for years to come. Assembly is simple, so take your time, read the instructions completely, then begin. To avoid damaging the cabinet, please work on a carpet or rug.

1. Separate and identify the parts and hardware. Please refer to the Diagrams on the back of this sheet.
2. Screw 6 cambolts "CB" into under side of top panel "AT" and top side of base panel "AB". (Note that panel "AB" has pilot holes on bottom to accept casters) Be sure to look at inset 1 showing that cambolts should be screwed in until the shoulder rests against the flat surface of the wood. You may gently tap the cambolts as you screw them in if needed to insure they are perpendicular to the wood surface. The cambolts must be straight before proceeding. Next, install 3 cam bolt "CB" into the center of both side panels "AQ".
3. With the help of a friend, push the permanent shelf "ZP" onto the side panel's cambolts. Cam lock holes on shelf face toward the bottom and the shaped edge faces the front. Lock the cam locks "CL" see inset 2. Note that a slight bit of "jiggling" can help seat the camlock. Turn Camlock about 1/2 turn to tighten. Attach the other side panel. Attach the sub assembled side panels onto the base panel's cambolts and tighten the camlocks.
4. Place the top panel "AT" onto the sub-assembled unit. Check that all cambolts line up into (camlock) holes of the top panel. WITH ARROWS ON CAMLOCK FACING PANEL "AT", turn clockwise, about half a turn to tighten.
5. Install casters "CST-P" into pilot holes in bottom of cabinet using caster screws "S9" . On a carpeted floor, carefully turn cabinet FRONT EDGE DOWN to install cabinet backs "BK". The **black** side faces the front of the cabinet. Be sure you have the cabinet backs centered perfectly, then use panel nails "PN" and nail thru guideholes into the rear perimeter of the cabinet.
6. With friends help carefully flip your cabinet to its normal upright position. Use the shelf pins "SP" and insert them in the side panels for positioning shelves "ZJ".
Enjoy!

Parts List for AR-43

<u>Item</u>	<u>Description</u>	<u>Qty</u>	<u>Item</u>	<u>Description</u>	<u>Qty</u>
AB	Base Panel	1	CL	Cam Lock	18
AT	Top Panel	1	CB	Cam Bolt	18
AQ	Side Panels	2	PN	Panel Nails	27
ZJ	Adj Shelves	3	S9	Caster Screws #10	16
HB	Cabinet back	2	SP	Shelf Pins	12
ZP	permanent shelf	1	CST-P	Casters	4

In the unlikely event that any parts are MISSING or DAMAGED in this package, circle the item(s) needed on the parts list. Note the finish if necessary. Please contact us immediately, your dealer does not stock parts. Wood Technology, P.O. Box 130, Conover, NC 28613.

888.445.5520 fax 828.464.8046 service@wood-tech.com www.wood-tech.com

7/1/01

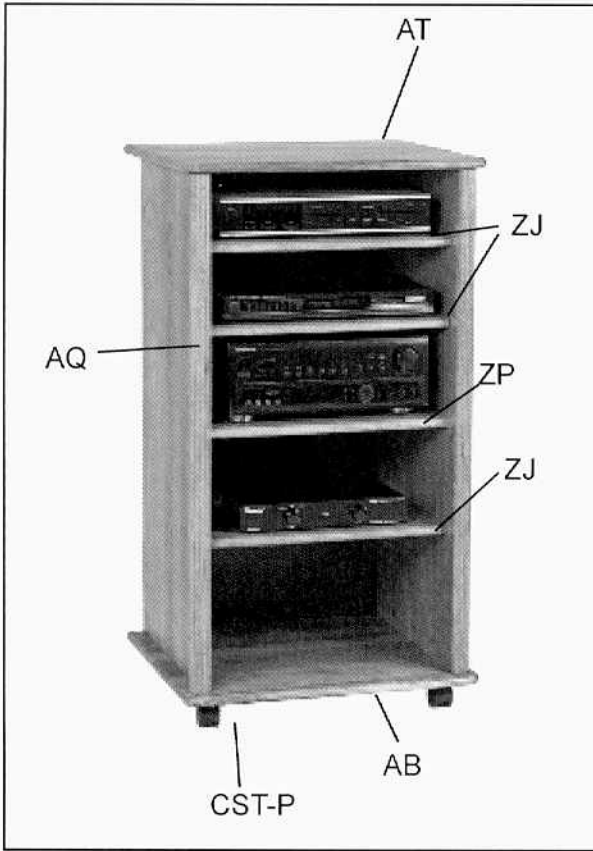


Figure 1

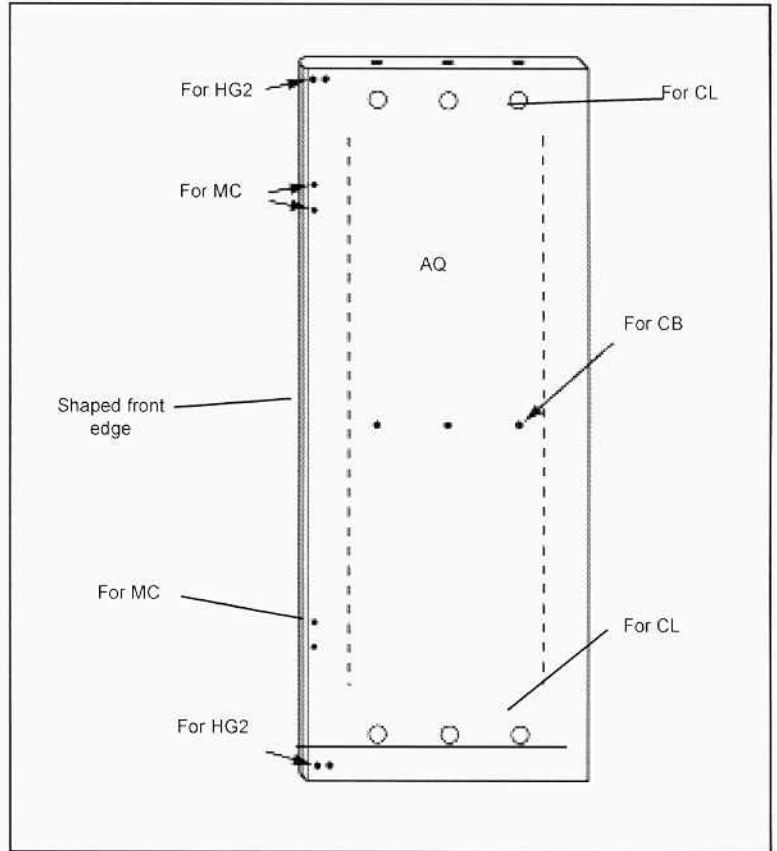
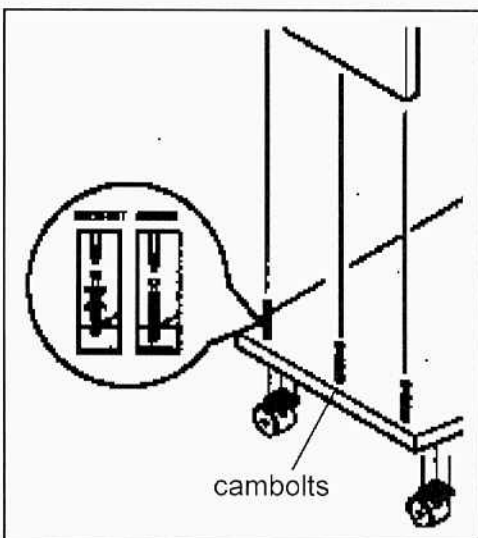
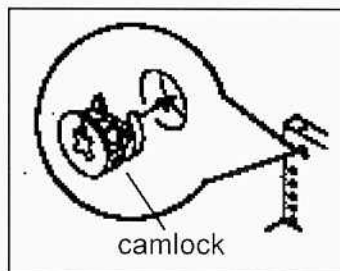


Figure 2

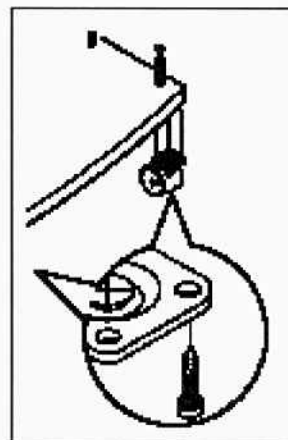


Inset 1

Additional shelves (ZJ) can be purchased for \$19.95 each + shipping and handling.



Inset 2



Inset 3

To care for your new furniture, we recommend dusting with a soft cotton cloth. Twice a year, use a small amount of fine furniture polish to keep the lustre of your audio video cabinet looking like new!