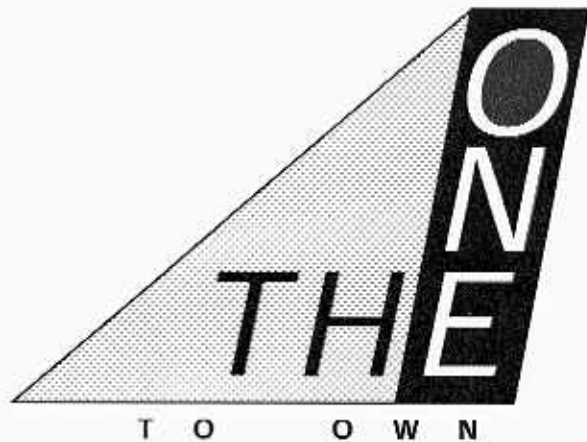
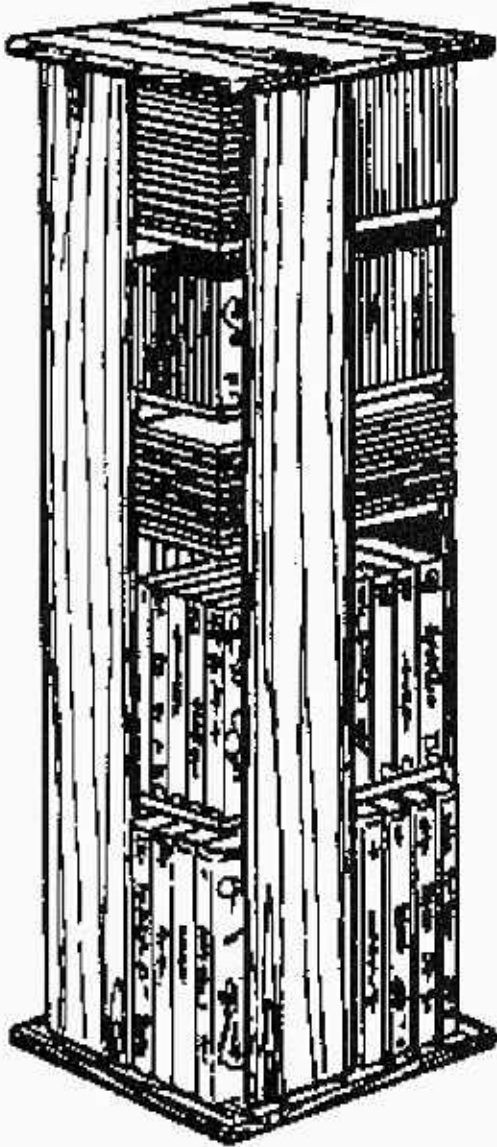


WOOD TECHNOLOGY

METAL TECHNOLOGY

Assembly Instructions Manual for Models T0-288, T0-336 and T0-576

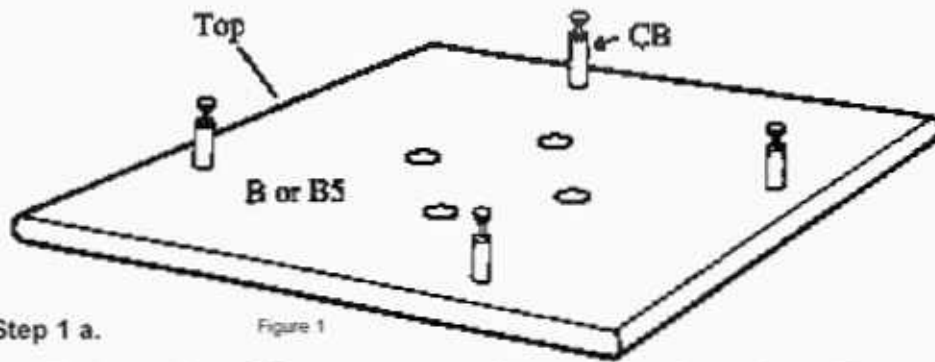


Multi-Media **Swivel Tower**

For DVD, CD, VHS Storage

Wood Technology, Inc., PO Box 130, Conover, NC 28613 888.445.5520 828.464.8046 fax
email: service@wood-tech.com <http://www.wood-tech.com>

1-23-2004



Step 1 a.

Figure 1

Install (4) cam bolts "CB" into the *bottom* of top panel as shown above (Figure 1).

Note proper installation of cam bolts (Figure 2). If cam bolts are not seated properly, the top panel will not fit correctly during final assembly. Set the top panel "B" or "B5" aside for use in step 4.

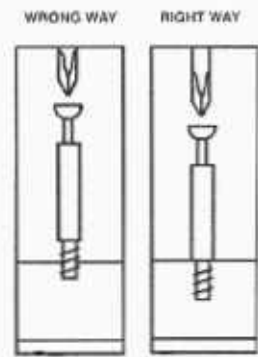


Figure 2

Step 1 b. (for TO-288 and TO-336 only) Skip this step if you are assembling a TO-576.

Install (8) T Moldings "TM" into each of shelves "SH" as shown below (Figure 3). Place shelf on a sturdy surface, such as the floor. Place each "TM" up to, but not covering the holes in the shelves and tap **firmly** into grooves (using a hammer). Set the shelves aside for later use.

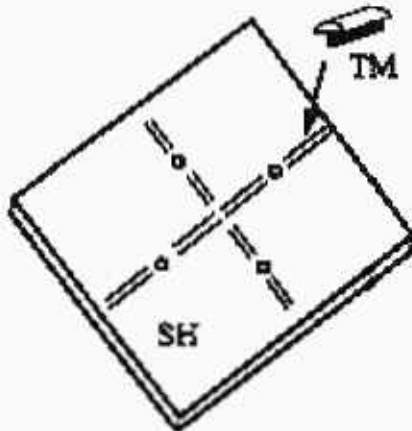


Figure 3

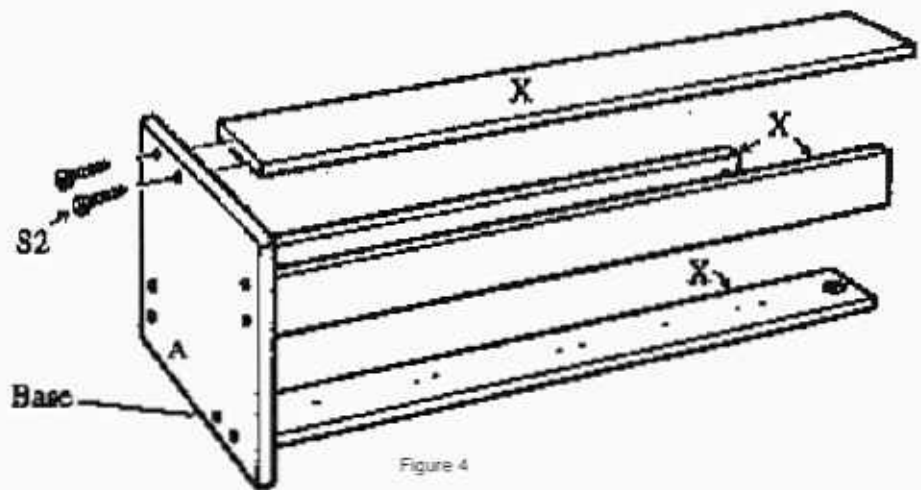


Figure 4

Step 2.

Attach the (4) side panels "X" onto the base panel using (8) screws "S2"(Figure 4). **MAKE SURE THE SHELF PIN PILOT HOLES ARE FACING INWARD ON ALL SIDE PANELS "X".**

Align the holes in the base panel with the holes in the swivel "SW" (Figure 5). Note: the inner rim of the swivel has three sets of pilot holes, small, medium and large. Please use the large pilot holes of the inner rim. Screw in (1) screw "S3" at a time while rotating the steel ring so as to gain access to each hole. Use all (4) screws "S3".

You may now affix the (4) protective bumper pads "BP" to the bottom of the swivel "SW" (Figure 6).

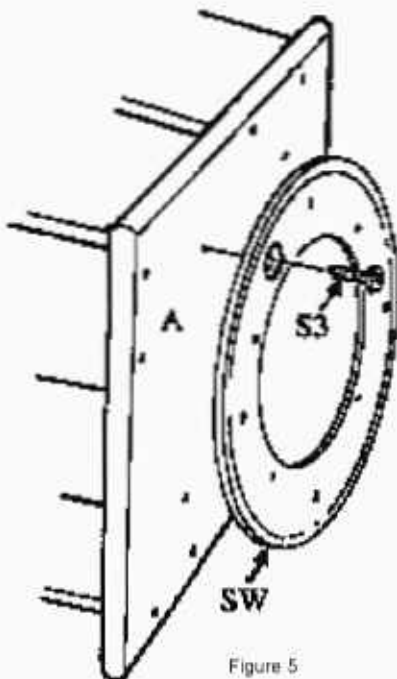


Figure 5

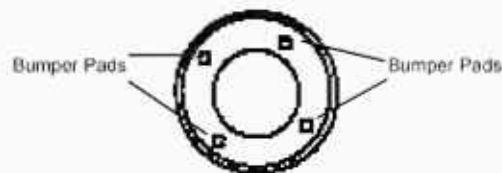


Figure 6

Step 3.

Carefully set your unit upright on the base panel.

Decide on the software configuration you plan on using (CD's, DVD'S, or VHS tapes)(Figure 7).

(See diagram at right)

Starting at the bottom, install 4 shelf pins, one in each panel "X". Set one Shelf onto the shelf pins you've installed(Figure 8). Continue until you have installed all shelves for your software configuration. (Note detail for proper pin installation.)

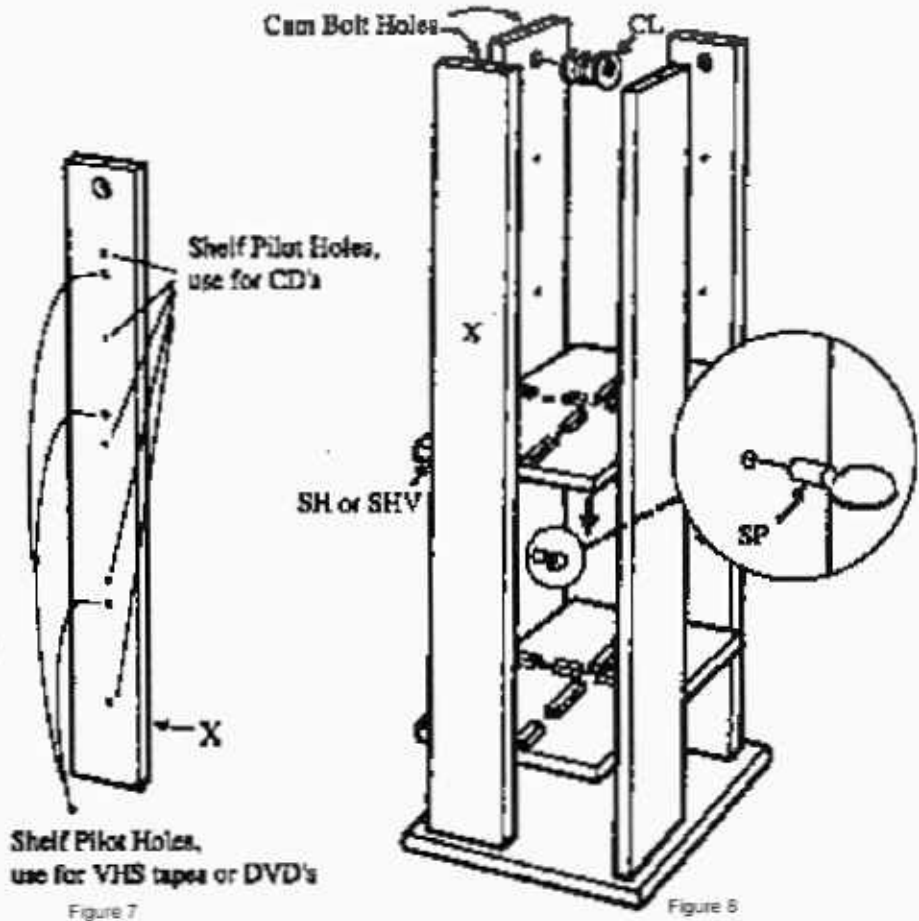


Figure 7

Figure 8

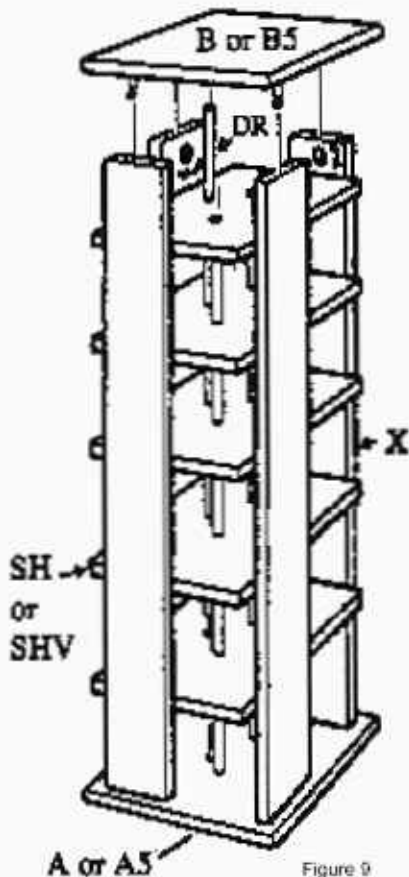


Figure 9

Step 4.

Install (4) dowel rods "DR" (8 for the TO-576) through holes in shelves and seat into the recessed holes in base.

Position the cambolts of the top panel into the holes in the side panels "X". As you push the top panel down, *make sure the dowel rods "DR" are seated in the recessed holes in the bottom of top panel* (Figure 9).

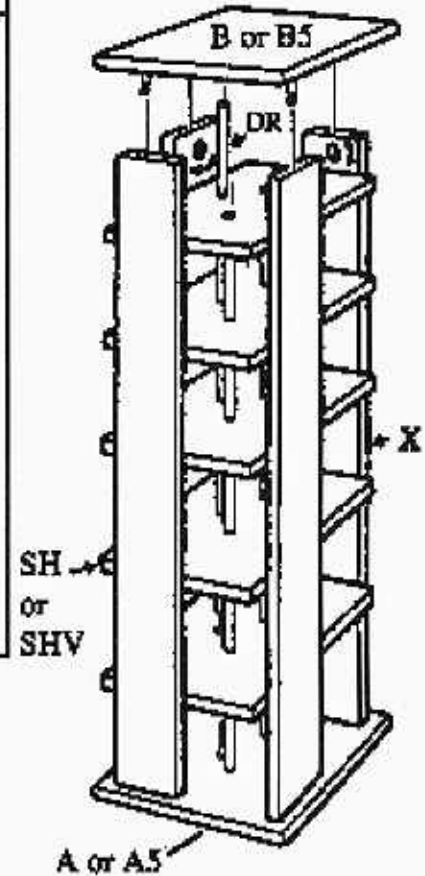
Install one cam lock "CL" into each side panel "X" as shown. (above right) Make sure the cam locks are pressed to the back of each hole and that the arrow on the top of each cam lock is pointing up toward the cam bolt hole. Lock the top panel to the side panels by turning the cam locks clockwise about 1/2 turn.

You are now finished with the assembly of your new Multi-Media Swivel Tower. Load up your software and ENJOY! When you outgrow your storage Capacity, come see us at www.wood-tech.com.

Special Notes

- a. **CAUTION: INSPECT PARTS THOROUGHLY AND READ THE INSTRUCTIONS BEFORE ASSEMBLING THE UNIT. IF THE UNIT IS NOT ASSEMBLED PROPERLY, WOOD TECHNOLOGY CAN NOT BE RESPONSIBLE FOR DAMAGED PARTS.**
- b. Separate the hardware into groups of identical parts for easier identification during assembly.
- c. Remove any staples from the box and assemble the unit on a carpeted floor or rug to prevent scratching the unit during assembly.
- d. Clean your unit with a moderate amount of your favorite furniture polish when needed.
- e. As with any fine furniture, do not place either hot or cold containers directly on the surface.

<u>PARTS LIST</u>					
<u>TO-288 & TO-336</u>			<u>TO-576</u>		
<u>Item</u>	<u>Description</u>	<u>Qty</u>	<u>Item</u>	<u>Description</u>	<u>Qty</u>
A	Base Panel	1	A5	Base Panel	1
B	Top Panel	1	B5	Top Panel	1
X	Side Panels	4	X	Side Panels	4
SH	Shelves	5-6	SHV	Shelves	5
SP	Shelf Pins	20	SP	Shelf Pins	20
S2	Screw #9 x 2"	8	S2	Screw #9 x 2"	8
S3	Screw #12 x 5/8"	4	S3	Screw #12 x 5/8"	4
SW	Swivel Mechanism	1	SW	Swivel Mechanism	1
BP	Bumper Pads	4	BP	Bumper Pads	4
CL	Cam Lock	4	CL	Cam Lock	4
CB	Cam Bolt	4	CB	Cam Bolt	4
DR	Dowel Rod	4	DR	Dowel Rod	8
TM	"T" molding	40			



In the unlikely event that any parts are **MISSING** or **DAMAGED** in this package, circle the item(s) needed on the parts list, and contact us via email, fax or telephone. We'll be happy to assist you.